

For reference only. See data sheet for the detailed specifications.

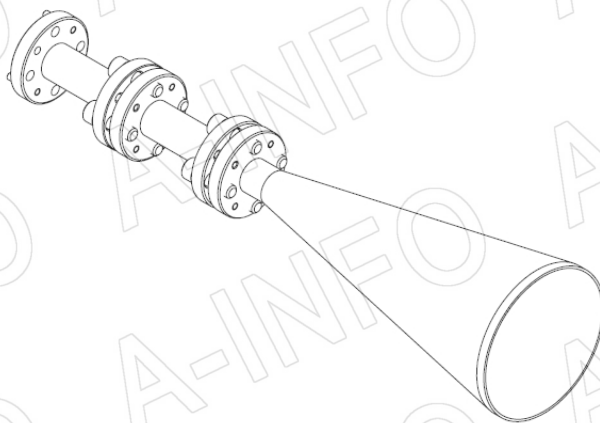
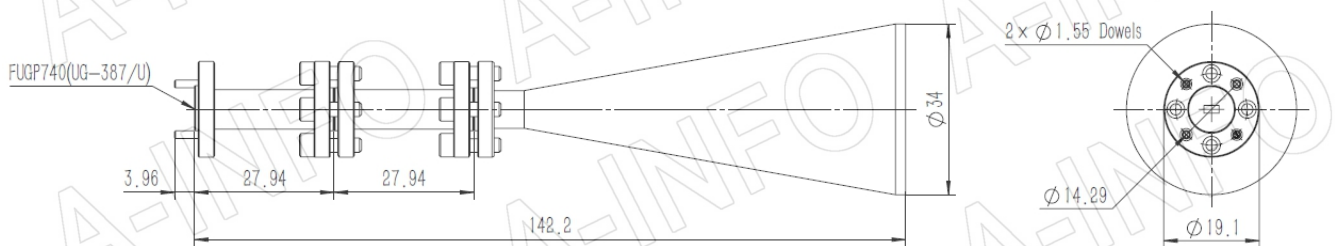
## Technical Specification



Frequency Range(GHz)	71.0 – 86.0	
Waveguide	WR12	
Gain(dBic)	25 Typ.	
Polarization	RHCP	
Axial Ratio(dB)	2.0 Typ.	
	3.0 Max.	
3dB Beamwidth(deg)	E Plane:	8.6 Typ.
	H Plane:	8.3 Typ.
VSWR	A Type:	1.15:1 Max.
	C Type:	1.80:1 Max.
Output	A Type:	FUGP740(UG-387/U)
	C Type:	1.0mm-Female
Material	Cu	
Finish	Gold Plated	
Size(mm)	A Type:	34 x 34 x 142.2
	C Type:	34 x 34 x 167.6
Net Weight(Kg)	A Type:	0.10 Around
	C Type:	0.13 Around

## Outline Drawing (Size: mm)

FUGP740 Output (P/N: LB-CNH-12WC13-25-R16c-A)



## AINFO Inc.

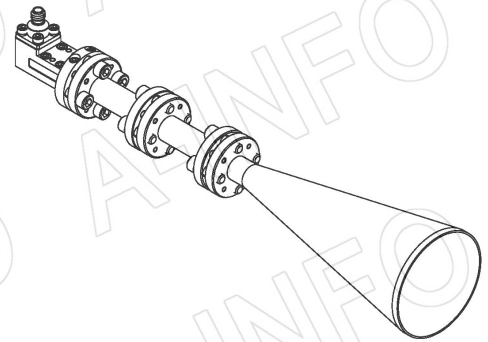
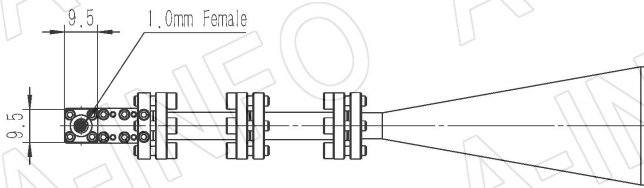
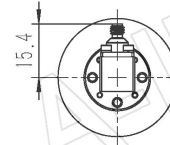
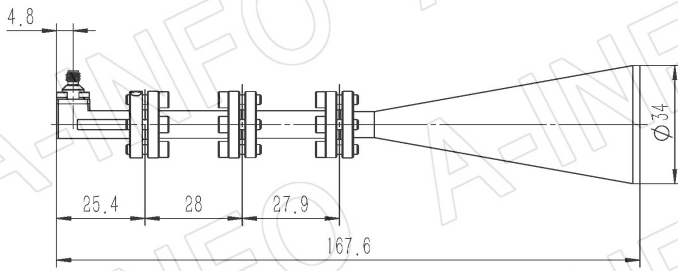
China(Beijing): Tel: (+86) 10-6266-7326,  
China(Chengdu): Tel: (+86) 28-8519-2786,  
USA : Tel: (+1) 949-639-9688,

Page 1 of 10

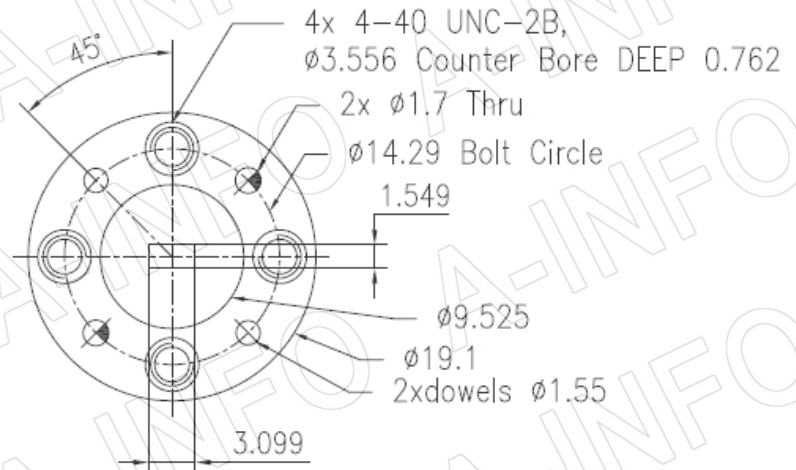
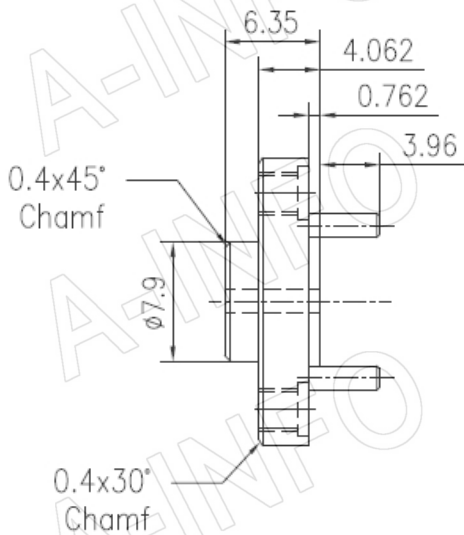
(+86) 10-6266-7327 Fax: (+86) 10-6266-7379  
(+86) 28-8519-3044 Fax: (+86) 28-8519-3068  
(+1) 949-639-9608 Fax: (+1) 949-639-9670

Website: [www.ainfoinc.com](http://www.ainfoinc.com)  
Email: [sales@ainfoinc.com](mailto:sales@ainfoinc.com)

1.0mm-Female Output (P/N: LB-CNH-12WC13-25-R16c-C-1.0F)



**Flange Drawing (Size: mm)**



FUGP740  
(equivalent to UG-387/U)

**AINFO Inc.**

China(Beijing): Tel: (+86) 10-6266-7326,  
China(Chengdu): Tel: (+86) 28-8519-2786,  
USA: Tel: (+1) 949-639-9688,

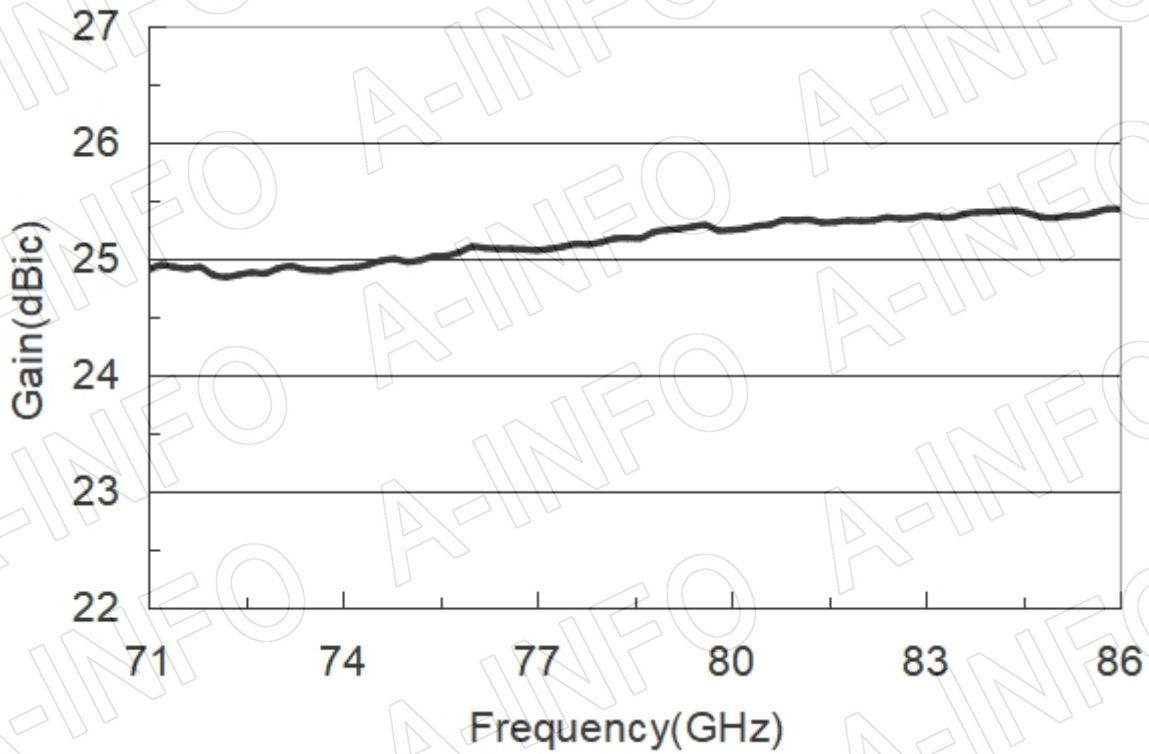
Page 2 of 10

(+86) 10-6266-7327 Fax: (+86) 10-6266-7379  
(+86) 28-8519-3044 Fax: (+86) 28-8519-3068  
(+1) 949-639-9608 Fax: (+1) 949-639-9670

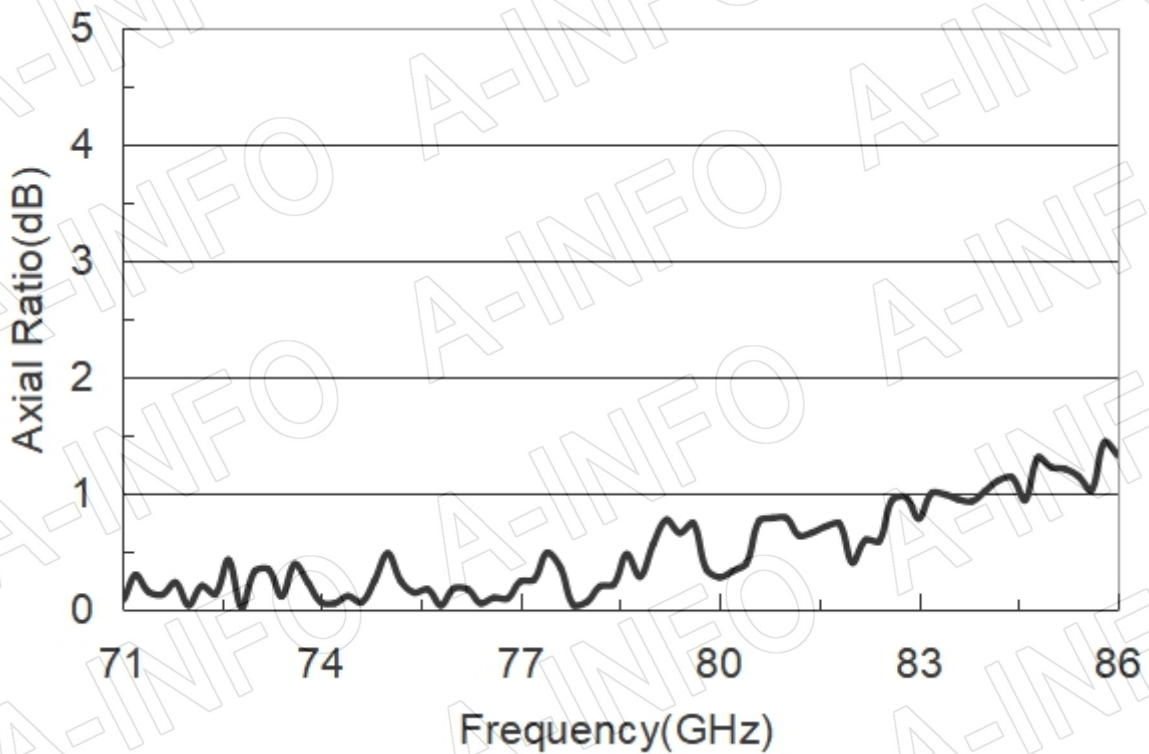
Website: [www.ainfoinc.com](http://www.ainfoinc.com)  
Email: [sales@ainfoinc.com](mailto:sales@ainfoinc.com)

## Test Results

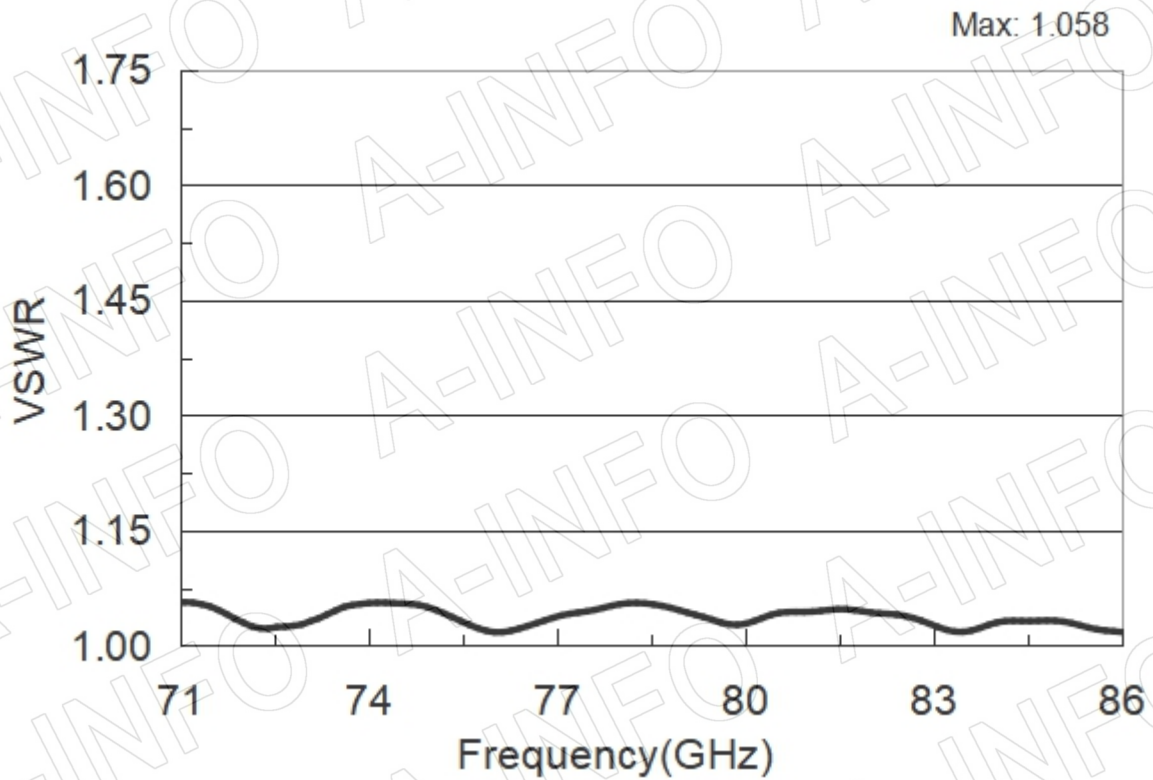
### 1. Gain



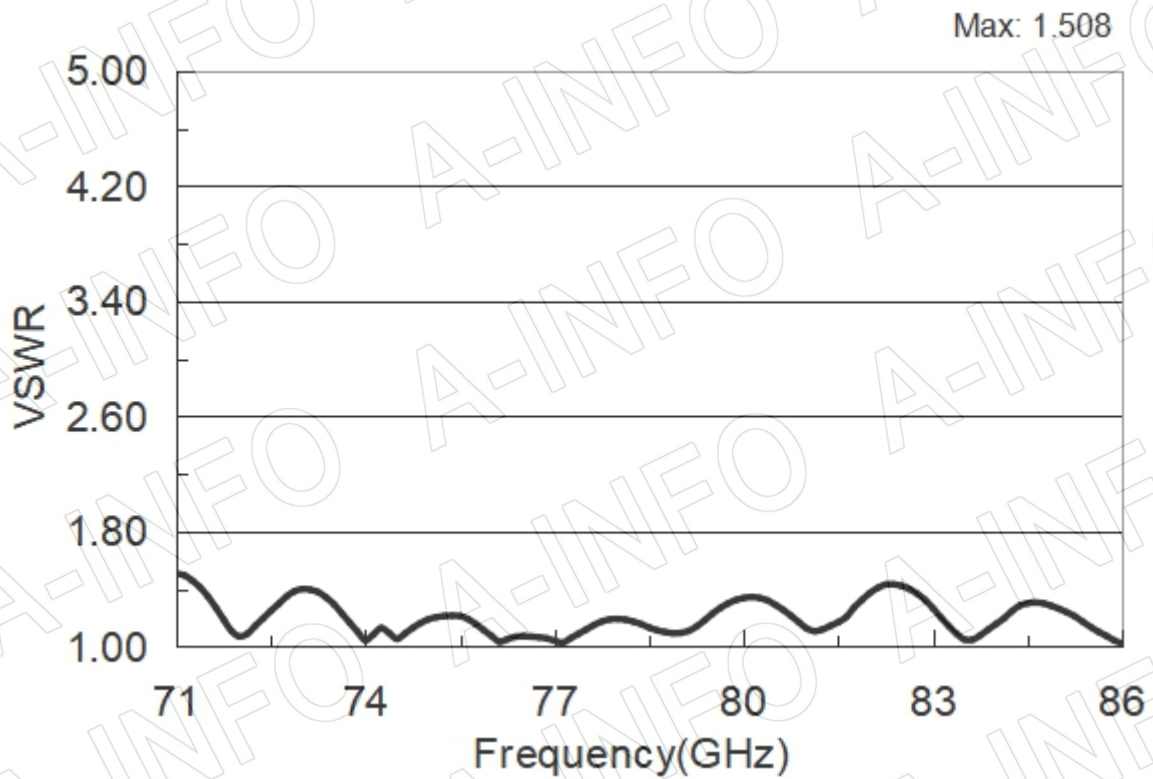
### 2. Axial Ratio



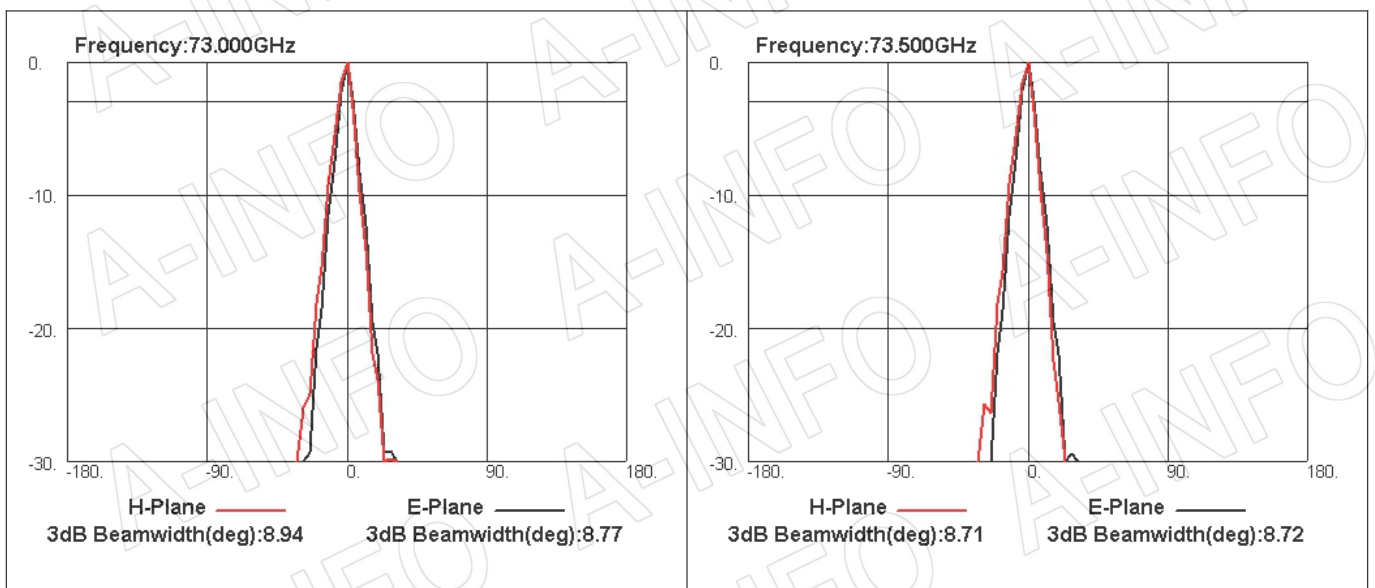
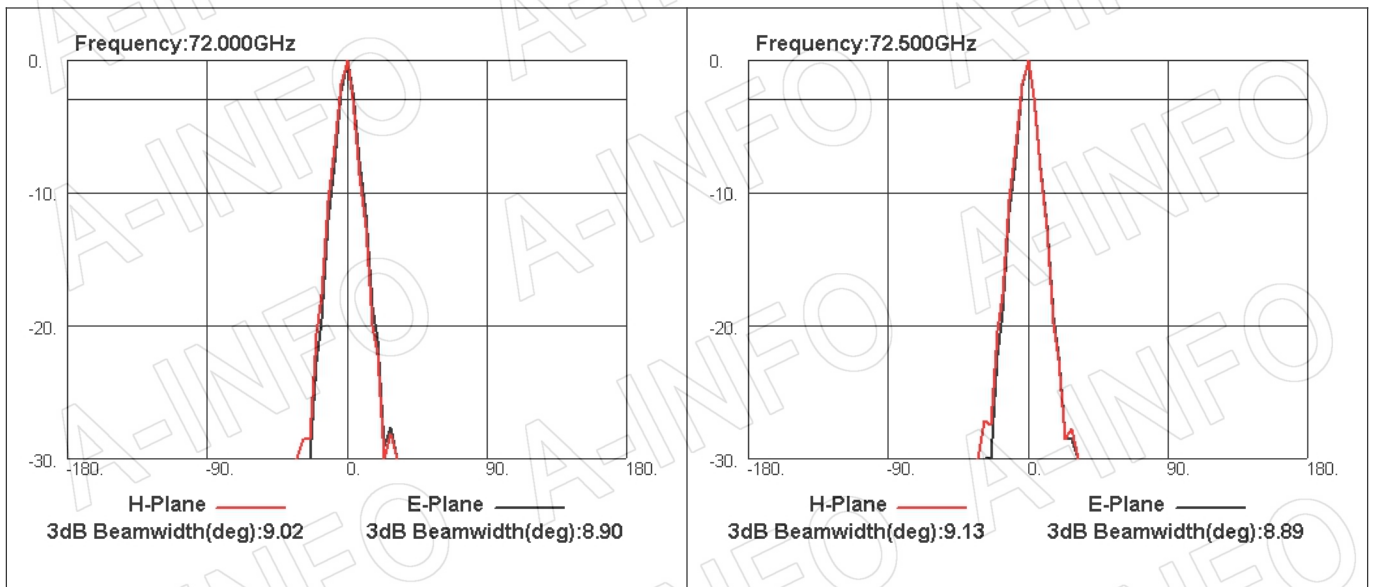
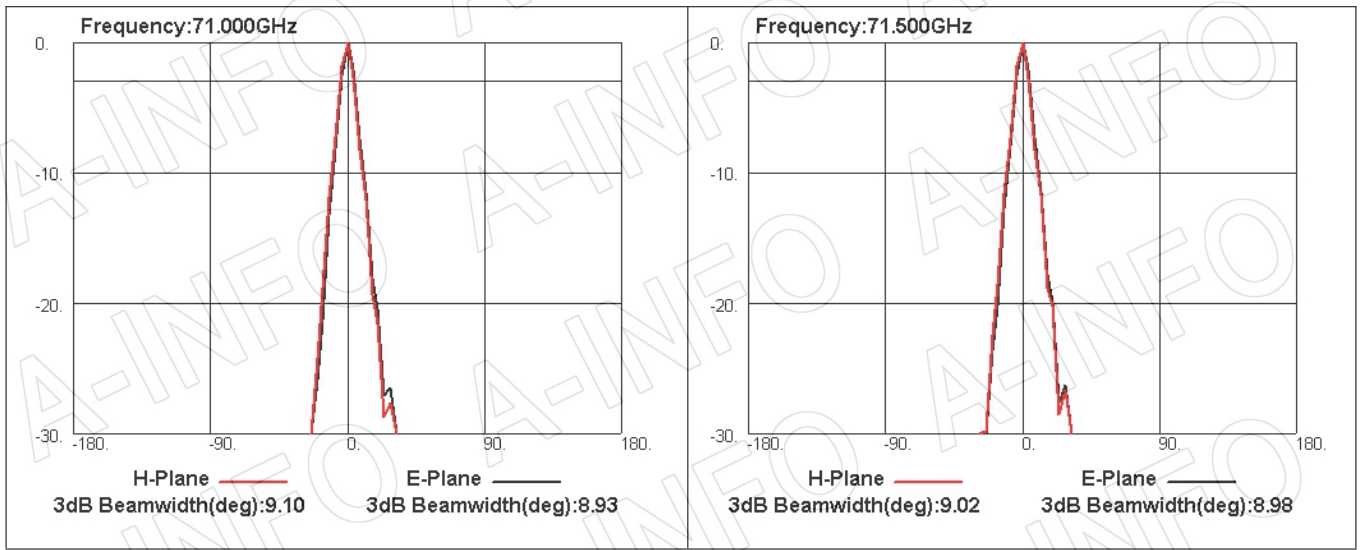
### 3. VSWR\_A Type



### VSWR\_C Type



## 4. Pattern



**AINFO Inc.**

China(Beijing): Tel: (+86) 10-6266-7326,  
China(Chengdu): Tel: (+86) 28-8519-2786,  
USA: Tel: (+1) 949-639-9688,

Page 5 of 10

(+86) 10-6266-7327  
(+86) 28-8519-3044  
(+1) 949-639-9608

Fax: (+86) 10-6266-7379  
Fax: (+86) 28-8519-3068  
Fax: (+1) 949-639-9670

Website: [www.ainfoinc.com](http://www.ainfoinc.com)  
Email: [sales@ainfoinc.com](mailto:sales@ainfoinc.com)

